

X8541 Balloon – A4 size, 1C+1C

FRONT (GRAYSCALE)

BACK (GRAYSCALE)



Balloon Ride Instructions

WARNING:
CHOKING HAZARD – Toy contains small balls and small parts. Not for children under 3 years.

4+



Keep these instructions for future reference as they contain important information. Please read all instructions before beginning assembly and set-up.

You will need:

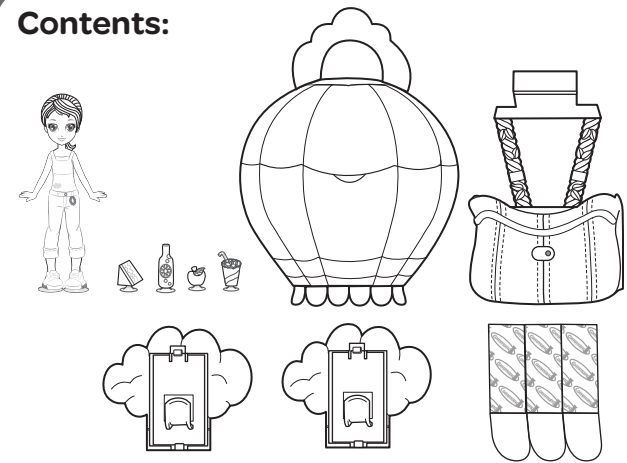


Approximately
1 foot of open
wall space



15 minutes

Contents:

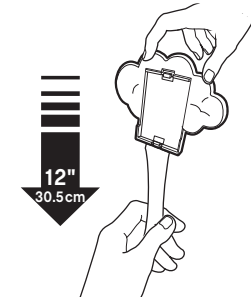


Before applying Command® Strips:

- CAUTION: NEVER use with wallpaper. May not adhere well to vinyl surfaces.
- CAUTION: NEVER hang items over beds.
- Make sure the wall surface is clean and dry. If cleaning is necessary 3M recommends using isopropyl rubbing alcohol. DO NOT use household cleaners.
- Apply strips to surfaces above 50°F (10°C). Adhesive could lose adhesion above 105°F (40°C).

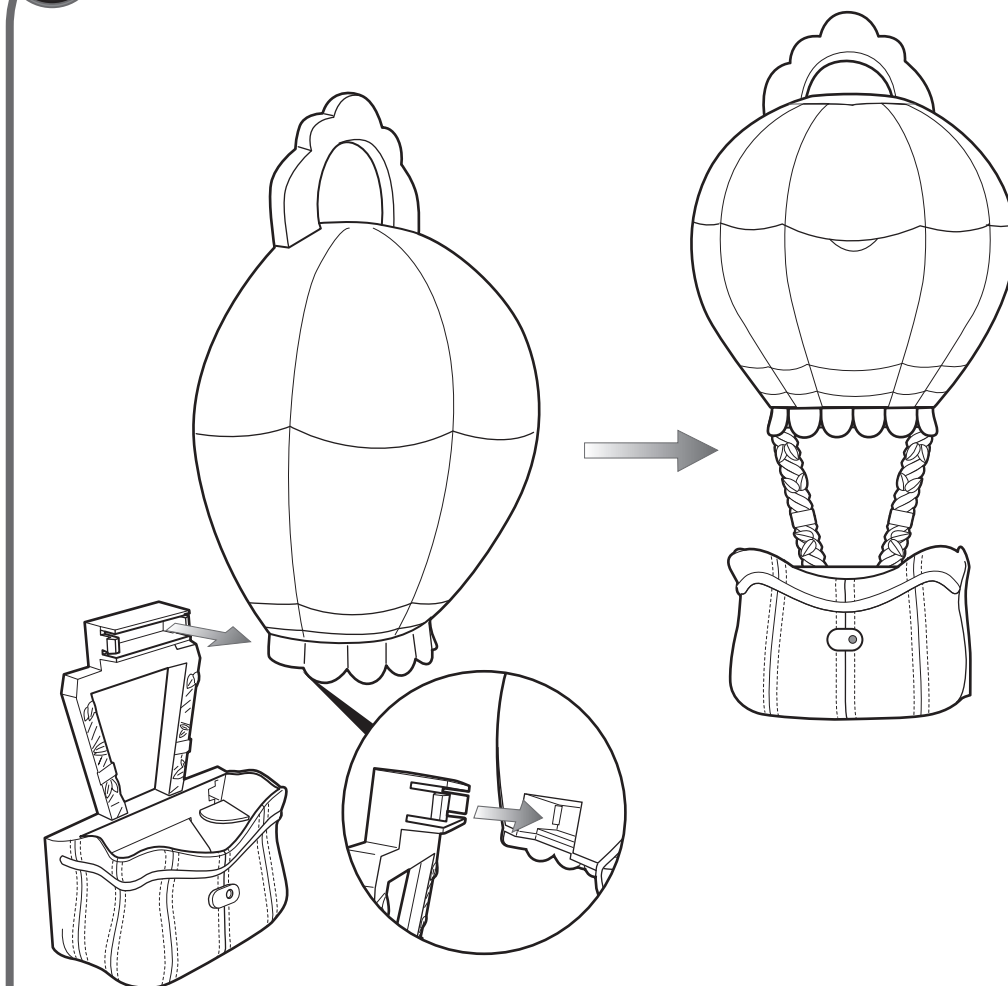
When removing brackets from wall:

- NEVER pull strip towards you.
- NEVER press bracket against wall.
- ALWAYS hold bracket gently in place to prevent it from hitting fingers.
- ALWAYS pull tab on Command® Strip SLOWLY AND STRAIGHT DOWN WALL. Stretch at least 12 inches (30.5 cm) until bracket and strip release.



Purchase medium Command® Refill Strips to reapply to your wall.

1 Assemble the Playset

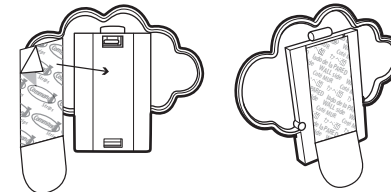


2 Apply Command® Strips

Separate strips. Remove red-printed liner from Command® Strips and apply to back of brackets as shown. Make sure the strip tab is accessible for future removal.

NOTE: DO NOT PULL BRACKET OFF WALL without reading removal instructions.

Red Printing = On Bracket

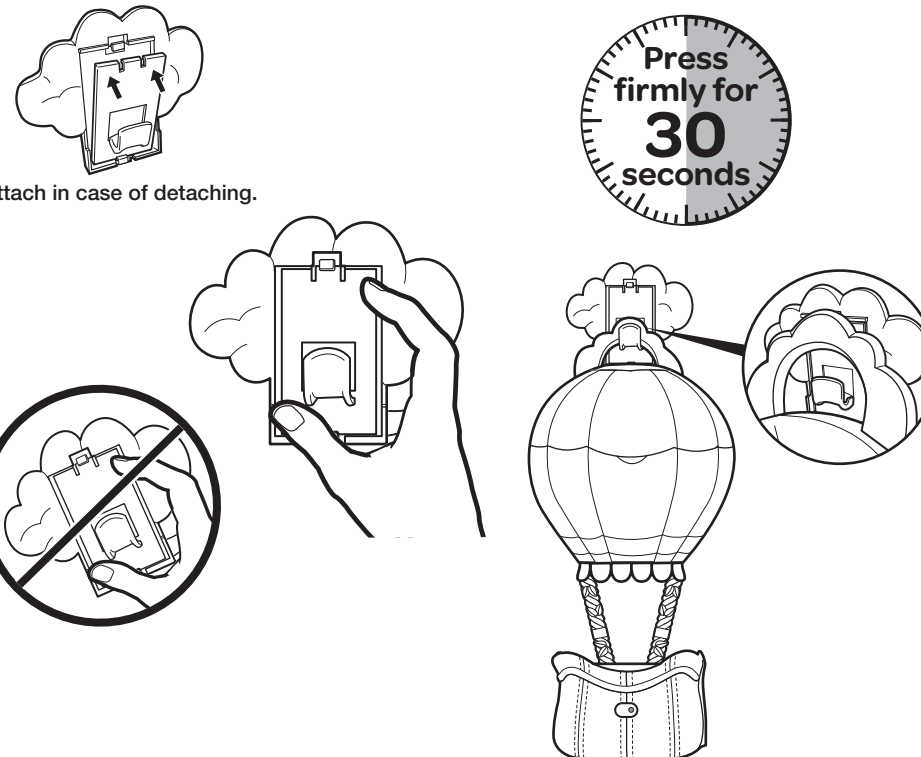


Black Printing = On Wall

3 Hang Playset on Wall

1. Remove black-printed liner from Command® Strip.
2. Position brackets in desired locations on wall in orientation shown.
3. Press brackets firmly onto wall and hold for 30 seconds.
4. Hang play set on the bracket.

NOTE: For optimal adhesion performance, 3M recommends waiting 1 hour before adding weight to Command® Strips.



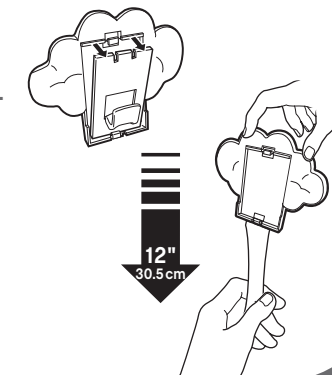
Reattach in case of detaching.



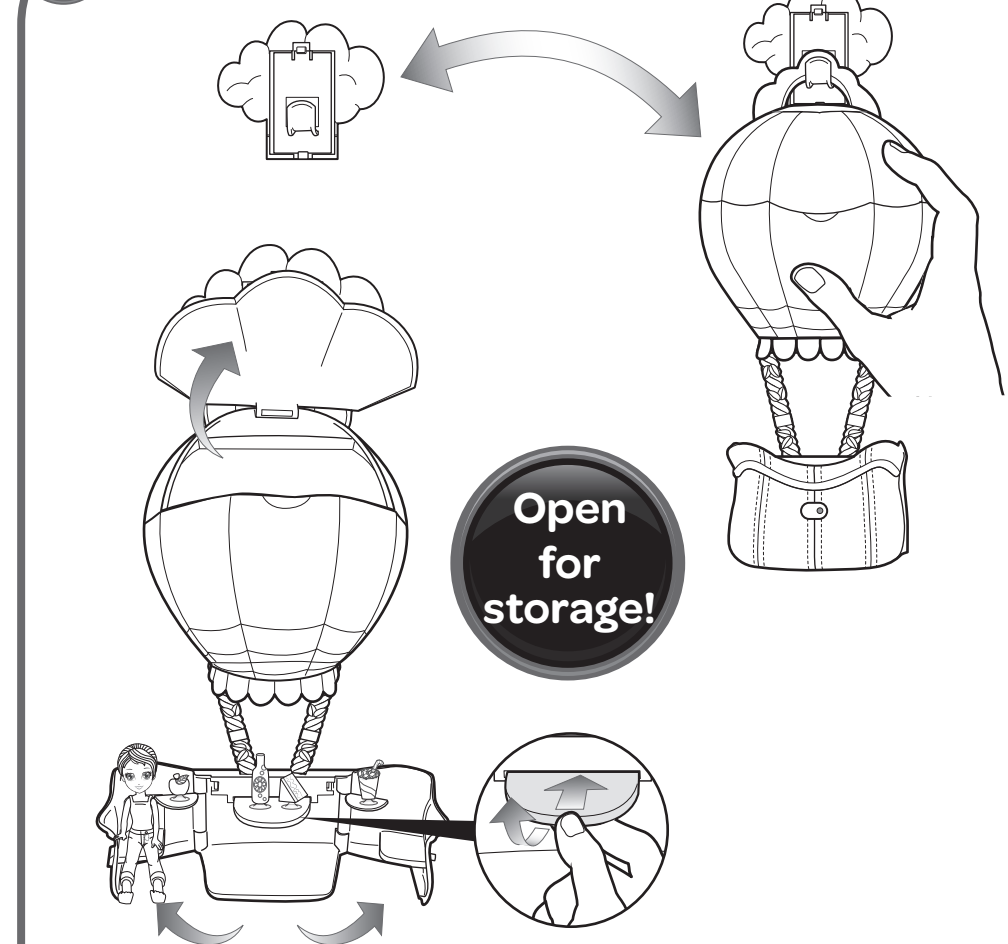
Press
firmly for
30
seconds

5 Reattaching & Removal

1. Mounting plates are designed to break away from the set without causing surface damage.
2. To remove brackets from the wall entirely:
 - a. NEVER pull strip towards you.
 - b. Hold bracket gently to prevent it from snapping fingers. DO NOT press against wall.
 - c. Grab tab on Command® Strip and SLOWLY STRETCH STRAIGHT DOWN WALL AT LEAST 12 INCHES until bracket and strip release.
3. Purchase medium Command® Refill Strips to reapply to your wall.



4 How to Play



Open
for
storage!



Command® Strips are a product of 3M. For further information visit command.com

NOTE: Apply strips to surfaces above 50°F (10°C). Adhesive could lose adhesion above 105°F (40°C).

CAUTION:
DO NOT use with wallpaper. May not adhere well to vinyl surfaces.
DO NOT hang items over beds.

3M and Command are trademarks of 3M.
© 3M 2012. All Rights Reserved.

©2012 Mattel and/or Origin Products Ltd. All Rights Reserved. Mattel, Inc., 636 Girard Avenue, East Aurora, NY 14052, U.S.A. 1-800-524-8697. Mattel Australia Pty. Ltd., Richmond, Victoria. 3121. Consumer Advisory Service - 1300 135 312. Mattel East Asia Ltd., Room 1106, South Tower, World Finance Centre, Harbour City, Tsimshatsui, HK, China. Diimport & Diedarkan Oleh: Mattel SEA Ptd Ltd. (993532-P) Lot 13.5, Menara Lien Hoe, Persiaran Tropicana Golf Country Resort, 47410 PJ. Tel: 03-78803817, Fax: 03-78803867. service.mattel.com



X8541-0920G1

Just for reference, NOT for printing.

僅供參考，請勿用於印刷。

X8542 Camp – A4 size, 1C+1C

FRONT (GRAYSCALE)

BACK (GRAYSCALE)

WARNING: CHOKING HAZARD – Small parts. Not for children under 3 years. **4+**

Hangs with **Command BRAND STRIPS**

Keep these instructions for future reference as they contain important information. Please read all instructions before beginning assembly and set-up.

You will need:

Approximately 1 foot of open wall space

15 minutes

Contents:

Before applying Command® Strips:

- CAUTION: NEVER use with wallpaper. May not adhere well to vinyl surfaces.
- CAUTION: NEVER hang items over beds.
- Make sure the wall surface is clean and dry. If cleaning is necessary 3M recommends using isopropyl rubbing alcohol. DO NOT use household cleaners.
- Apply strips to surfaces above 50°F (10°C). Adhesive could lose adhesion above 105°F (40°C).

When removing brackets from wall:

- NEVER pull strip towards you.
- NEVER press bracket against wall.
- ALWAYS hold bracket gently in place to prevent it from hitting fingers.
- ALWAYS pull tab on Command® Strip SLOWLY AND STRAIGHT DOWN WALL. Stretch at least 12 inches (30.5 cm) until bracket and strip release.

Purchase medium Command® Refill Strips to reapply to your wall.

1 Assemble the Playset

2 Apply Command® Strips

Separate strips. Remove red-printed liner from Command® Strips and apply to back of brackets as shown. Make sure the strip tab is accessible for future removal.

Red Printing = On Bracket

Black Printing = On Wall

NOTE: DO NOT PULL BRACKET OFF WALL without reading removal instructions.

3 Attach Brackets

Reattach in case of detaching.

Rear View

4 Hang Playset on Wall

1. Remove black-printed liner from Command® Strip.
2. Position playset level against the wall.
3. Press brackets firmly onto wall and hold for 30 seconds.

NOTE: For optimal adhesion performance, 3M recommends waiting 1 hour before adding weight to Command® Strips.

Press firmly for **30 seconds**

5 Connect with other Wall Party™ Playsets (sold separately)

1. Attach zip line to playset on wall.
2. Follow Steps 1-3 on the other Wall Party™ playset instructions.
3. Attach zip line to other Wall Party™ playset.
4. Position other playset to desired location, level against the wall.
5. Press playset firmly onto wall and hold for 30 seconds.
6. Connect all playsets together to create your own Wall Party™!

NOTE: Wall Party™ Balloon Ride does not connect to other playsets.

Fun Tip: Interchange zip lines, swings, slide, and elevator with other playsets!

6 How to Play

Open for storage!

7 Reattaching & Removal

1. Mounting plates are designed to break away from the set without causing surface damage.
2. To remove brackets from the wall entirely:
 - a. NEVER pull strip towards you.
 - b. Hold bracket gently to prevent it from snapping fingers. DO NOT press against wall.
 - c. Grab tab on Command® Strip and SLOWLY STRETCH STRAIGHT DOWN WALL AT LEAST 12 INCHES until bracket and strip release.
3. Purchase medium Command® Refill Strips to reapply to your wall.

12" 30.5cm

With **Command BRAND STRIPS** for **Damage-Free Hanging** **3M**

Command® Strips are a product of 3M. For further information visit command.com

NOTE: Apply strips to surfaces above 50°F (10°C). Adhesive could lose adhesion above 105°F (40°C).

CAUTION: DO NOT use with wallpaper. May not adhere well to vinyl surfaces. DO NOT hang items over beds.

3M and Command are trademarks of 3M. © 3M 2012. All Rights Reserved.

Just for reference, NOT for printing.

僅供參考，請勿用於印刷。

Y3727 Juice Bar – A4 size, 1C+1C

FRONT (GRAYSCALE)

BACK (GRAYSCALE)

Juice Bar Instructions

WARNING:
CHOKING HAZARD – Small parts.
Not for children under 3 years. **4+**

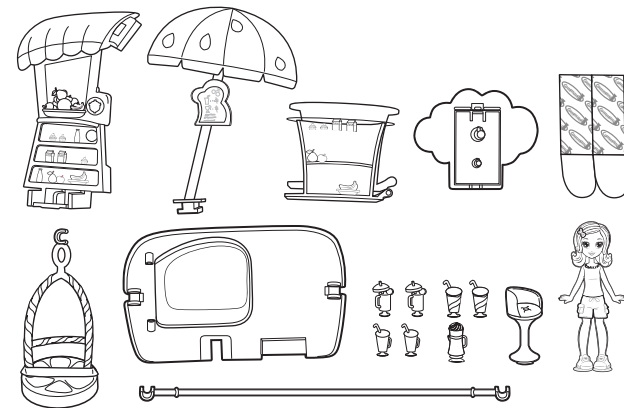
Hangs with
Command
STRIPS

Keep these instructions for future reference as they contain important information. Please read all instructions before beginning assembly and set-up.

You will need:



Contents:

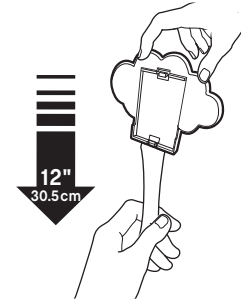


Before applying Command® Strips:

- CAUTION: NEVER use with wallpaper. May not adhere well to vinyl surfaces.
- CAUTION: NEVER hang items over beds.
- Make sure the wall surface is clean and dry. If cleaning is necessary 3M recommends using isopropyl rubbing alcohol. DO NOT use household cleaners.
- Apply strips to surfaces above 50°F (10°C). Adhesive could lose adhesion above 105°F (40°C).

When removing brackets from wall:

- NEVER pull strip towards you.
- NEVER press bracket against wall.
- ALWAYS hold bracket gently in place to prevent it from hitting fingers.
- ALWAYS pull tab on Command® Strip SLOWLY AND STRAIGHT DOWN WALL. Stretch at least 12 inches (30.5 cm) until bracket and strip release.



Purchase medium Command® Refill Strips to reapply to your wall.

1 Assemble the Playset

2 Apply Command® Strips

Separate strips. Remove red-printed liner from Command® Strips and apply to back of brackets as shown. Make sure the strip tab is accessible for future removal.

NOTE: DO NOT PULL BRACKET OFF WALL without reading removal instructions.

Red Printing = On Bracket

Black Printing = On Wall

3 Attach Brackets

Reattach in case of detaching.

Rear View

Rear View

4 Hang Playset on Wall

1. Remove black-printed liner from Command® Strip.
2. Position playset level against the wall.
3. Press brackets firmly onto wall and hold for 30 seconds.

NOTE: For optimal adhesion performance, 3M recommends waiting 1 hour before adding weight to Command® Strips.

Press firmly for 30 seconds

6 How to Play

Open for storage!

5 Connect with other Wall Party™ Playsets (sold separately)

1. Attach zip line to playset on wall.
2. Follow Steps 1-3 on the other Wall Party™ playset instructions.
3. Attach zip line to other Wall Party™ playset.
4. Position other playset to desired location, level against the wall.
5. Press playset firmly onto wall and hold for 30 seconds.
6. Connect all playsets together to create your own Wall Party™!

NOTE: Wall Party™ Balloon Ride does not connect to other playsets.

Fun Tip:
Interchange zip lines, swings, slide, and elevator with other playsets!

7 Reattaching & Removal

1. Mounting plates are designed to break away from the set without causing surface damage.
2. To remove brackets from the wall entirely:
 - a. NEVER pull strip towards you.
 - b. Hold bracket gently to prevent it from snapping fingers. DO NOT press against wall.
 - c. Grab tab on Command® Strip and SLOWLY STRETCH STRAIGHT DOWN WALL AT LEAST 12 INCHES until bracket and strip release.
3. Purchase medium Command® Refill Strips to reapply to your wall.

With **Command** STRIPS for **Damage-Free Hanging** 3M

Command® Strips are a product of 3M. For further information visit command.com

NOTE: Apply strips to surfaces above 50°F (10°C). Adhesive could lose adhesion above 105°F (40°C).

CAUTION: DO NOT use with wallpaper. May not adhere well to vinyl surfaces. DO NOT hang items over beds.

3M and Command are trademarks of 3M. © 3M 2012. All Rights Reserved.

©2012 Mattel and/or Origin Products Ltd. All Rights Reserved. Mattel, Inc., 636 Girard Avenue, East Aurora, NY 14052, U.S.A. 1-800-524-8697. Mattel Australia Pty. Ltd., Richmond, Victoria. 3121. Consumer Advisory Service - 1300 135 312. Mattel East Asia Ltd., Room 1106, South Tower, World Finance Centre, Harbour City, Tsimshatsui, HK, China. Diimport & Diedarkan Oleh: Mattel SEA Ptd Ltd. (993532-P) Lot 13.5, Menara Lien Hoe, Persiaran Tropicana Golf Country Resort, 47410 PJ. Tel: 03-78803817. Fax: 03-78803867. service.mattel.com



Y3727-0920